

Shenzhen Genstar Technology Co., Ltd.

Model: 143T

specification



Photo disclaimer: The images were taken of products from a specific production batch of our company. Due to ongoing maintenance, the actual shipped products may differ from those shown in the photos.

version number	date of issue
V1.7	20260313

Thank you for choosing our products. Please read this manual carefully before use.

Product Usage Precautions

- **This equipment requires installation, disassembly, and maintenance to be performed by technically trained personnel.**
- **Before energizing, verify that the electrical parameters of the power supply equipment match those on the rear casing nameplate of this product. Power supply is prohibited if any discrepancy is detected.**
- **Ensure that products with a supply voltage greater than the safe voltage are installed or placed in locations inaccessible to children or with adequate protective measures in place.**
- **Unplug the power cord and store it in a safe and proper location during thunderstorms or lightning weather, when the device is unattended indoors, or after prolonged disuse.**
- **Check and ensure that the ground wire of the AC power supply is properly connected, while preventing the power cord from being susceptible to physical or mechanical damage.**
- **When cleaning, ensure the entire machine is powered off and unplug the power socket.**
- **During installation, avoid areas with harsh conditions such as humidity, direct sunlight, high-temperature heat sources, heavy grease fumes, or strong wind and sand.**
- **Antennas must not be placed inside metal enclosures or similar shielding devices to prevent network disconnections or instability.**
- **Do not place heavy objects on the device to avoid excessive pressure, which may cause damage and prevent normal operation.**
- **Avoid use in vehicles and environments with various vibrations to prevent poor contact at the interface.**

- **Unauthorized disassembly and repair of the device are strictly prohibited.**

product presentation

GENSTAR 143T Touch Payment Terminal — Precision and Efficiency, Redefining the Payment Experience

The 143T is a touch-enabled cash register designed for modern commercial environments, featuring minimalist design and exceptional performance to enhance efficiency and quality in your retail space.

Complete interface support with seamless expansion: Our versatile interface configurations enable effortless integration with peripheral devices such as barcode scanners, receipt printers, and cash registers, meeting all equipment upgrade requirements for diverse checkout scenarios.

HD touch technology ensures smooth operation: Featuring a high-definition touchscreen with responsive precision and intuitive interface, it significantly boosts checkout efficiency while minimizing customer wait times.

Compact and elegant design with versatile adaptability: The sleek, space-saving body seamlessly integrates into diverse commercial environments including milk tea shops, convenience stores, and fast-food outlets, enhancing the store's aesthetic appeal.

Whether you're pursuing efficient chain stores or focusing on high-quality boutique shops, the GENSTAR 143T delivers stable performance and outstanding visual presentation, making it your trusted partner for checkout operations.



◆ Product Display



Single Screen 14inch



Dual Screen
main screen14" sub screen13.3"



Core product parameters

Android system	RK3568	RK3576	RK3588
CPU	Rockchip RK3568 quad-core Cortex-A55 processor with a maximum clock speed of 2.0GHz	The Rockchip RK3576 features dual quad-core processors: Cortex-A72 and Cortex-A53, with a maximum clock speed of 2.2GHz.	The Rockchip RK3588S is an octa-core 64-bit processor with a maximum clock speed of 2.4GHz, featuring a quad-core Cortex-A76 (large core) and quad-core Cortex-A55 (small core) architecture.
GPU	ARM G52 2EE Supports OpenGL ES 1.1/2.0/3.2, OpenCL 2.0, and Vulkan 1.1 Embedded high-performance 2D acceleration hardware	ARM G52 MC3 Supports OpenGL ES 1.1/2.0/3.2, OpenCL 2.0, and Vulkan 1.1. Embedded high-performance 2D acceleration hardware	ARM G610 GPU MC4 quad-core GPU Supports OpenGL ES3.2, OpenVG1.1, and OpenCL2.2, with 450 GFLOPS Embedded high-performance 2D acceleration hardware
NPU	Equipped with a built-in neural network processor (NPU) delivering 0.8TOPS@INT8 performance, it supports AI development tools including Caffe/Mxnet/TensorFlow/TF Lite/ONNX/Darknet for model deployment. Features rapid model conversion capabilities.	Equipped with a built-in neural network processor (NPU) delivering 6.0TOPS@INT8 performance, it supports models including Caffe, Mxnet, TensorFlow, PyTorch, TF Lite, ONNX, and Darknet, providing comprehensive AI development tools with rapid model conversion capabilities.	Equipped with a built-in neural network processor (NPU) for powerful AI computing: Supports IN4/IN8/INT16/FP16 operations with up to 6.0 TOPS performance, enabling direct loading of models like Caffe/Mxnet/TensorFlow/TF Lite/ONNX/Darknet. Provides AI development tools including rapid model conversion capabilities.
operating system	Android 11	Android 14	Android 12
running memory	LPDDR4 2GB (4G/8G optional, supports up to 8G)	LPDDR4 4GB (8G/16G optional, supports up to 16G)	LPDDR4 4GB (available in 8G,16G, or 32G configurations, with maximum support for 16G)
memory	eMMC 16GB (available in 32G,64G,128G, or 256G options)	eMMC 32GB (available in 64G,128G,256G, or 512G options)	eMMC 32GB (64G/128G/256G optional) TF Card expansion (optional)
Ethernet	Supports Ethernet 10/100	Supports Ethernet 10/100/1000 speeds	Supports Ethernet 10/100/1000 speeds
WiFi	Supports 2.4GHz and Wi-Fi 802.11b/g/n/ac protocols. (Optional 5GHz dual-band WiFi)	Supports 2.4GHz and WiFi6 802.11b/g/n/ax protocols (5GHz dual-band WiFi optional)	Supports 2.4G WiFi and Wi-Fi 802.11b/g/n protocols. (Optional 5GHz dual-band WiFi)

Bluetooth	Supports Bluetooth functionality with V2.1+EDR/Bluetooth (optional 3.0/3.0+HS/4.1/BLE)	Supports Bluetooth functionality, including V2.1+EDR, Bluetooth 2.1+EDR, 3.0, 4.x, and 5.2.	Supports Bluetooth functionality, including V2.1+EDR, Bluetooth 3.0, Bluetooth 3.0+HS, Bluetooth 4.1, Bluetooth 4.2, and BLE.
------------------	--	---	---

14-inch LCD screen		remarks
LCD type	TFT	
LCD size	14 inches	
Effective area (width × height)	309.312 x 173.988 mm	
resolution ratio	1920*1080	
luminance	210~250 Cd/m ²	
horizontal view angle	80~85 degrees	
vertical angle of view	80~85 degrees	
contrast ratio	700~1000	
response time	25~35 ms	

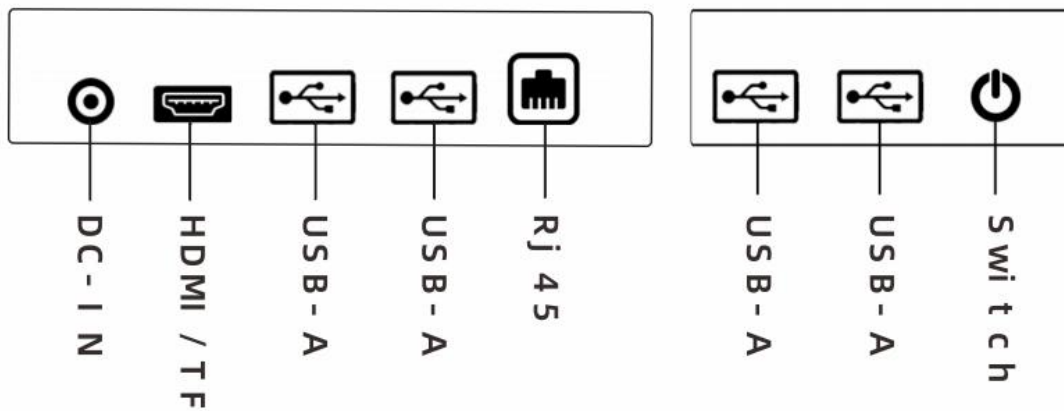
14-inch touchscreen		remarks
structure	G+G	
Tempered glass thickness	0.7 mm	
Sensor thickness	0.7 mm	
Cover plate color	black	
surface hardness	>6H	
Number of contacts	10	
Touch area	Φ≥9	
input mode	Finger or conductive pen	
Total light transmittance	≥86%	
fog level	≤5%	

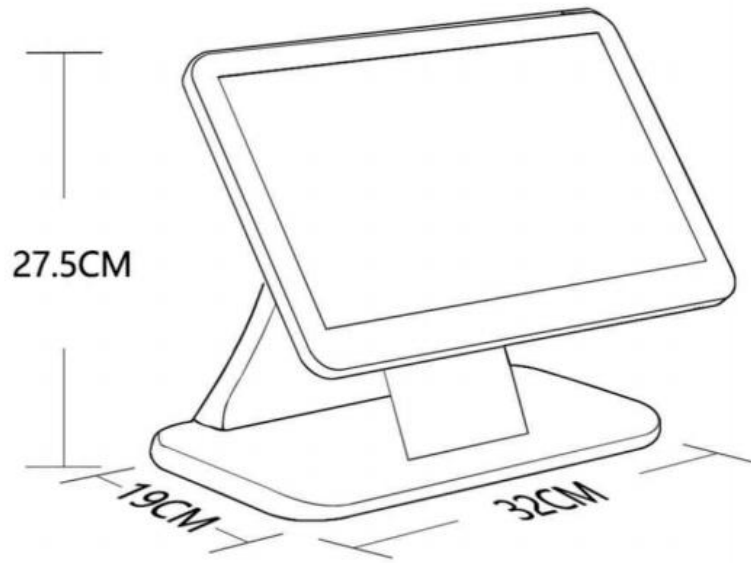
loudspeaker		remarks

impedance	16Ω±15%	
power rating	2W	
maximum power	2.5W	

Product operating environment parameters		
Storage temperature and humidity	-20 ~ 70°C, 10 ~ 85 %RH	
Working temperature and humidity	-20 ~ 50°C, 10 ~ 80 %RH	
Electrostatic Discharge Immunity ESD	Contact voltage ±6 kV, air voltage ±8 kV	
power input	DC12V	

Product appearance and interfaces:





143T Single Screen 14" 32*19*27.5CM