

# Shenzhen Genstar Technology Co., Ltd.

## Model: S2 Series

# specification



Photo Statement: The photo was taken of products from a specific batch manufactured by our company. Due to ongoing maintenance, the actual shipped products may differ from those shown in the photo.

version number	date of issue
V1.3	2026/1/20

Thank you for choosing our products. Please read this manual carefully before use.

# Product Usage Precautions

- **This equipment must be installed, disassembled, and maintained by technically trained personnel.**
- **Before powering on, carefully verify that the electrical parameters of the power supply equipment match those specified on the rear casing label of this product; otherwise, do not power on.**
- **Ensure that products with a supply voltage higher than the safe voltage are installed or placed in locations inaccessible to children or where adequate protective measures are in place.**
- **Unplug the power cord and store it in a safe, designated location during thunderstorms or lightning, when the interior is unoccupied, or after prolonged disuse.**
- **Check and ensure that the ground wire of the AC power cord is properly connected, while protecting the power cord from physical or mechanical damage.**
- **During cleaning, ensure the entire unit is powered off and unplug the power socket.**
- **During installation, avoid harsh conditions such as damp environments, direct sunlight, high-temperature sources, heavy cooking fumes, or strong wind and sand.**
- **Do not place the antenna inside a metal enclosure or similar shielding equipment to prevent network disconnections or instability.**
- **Do not place heavy objects on the device to avoid excessive pressure, which may damage the equipment and prevent it from functioning properly.**
- **Avoid using in vehicles or environments with significant vibrations to prevent poor interface contact.**
- **Private disassembly and repair without permission is strictly prohibited.**

## Product Presentation

GENSTAR S2 is an intelligent touch cash register terminal specifically designed for new retail. With its efficient performance and aesthetic design, it provides a one-stop cash register solution for various industries such as retail, catering, and supermarkets.

### Core Highlights

**Full-scenario payment:** Supports NFC card swiping and scanning payment, covering mainstream payment collection methods, making cashiering more convenient

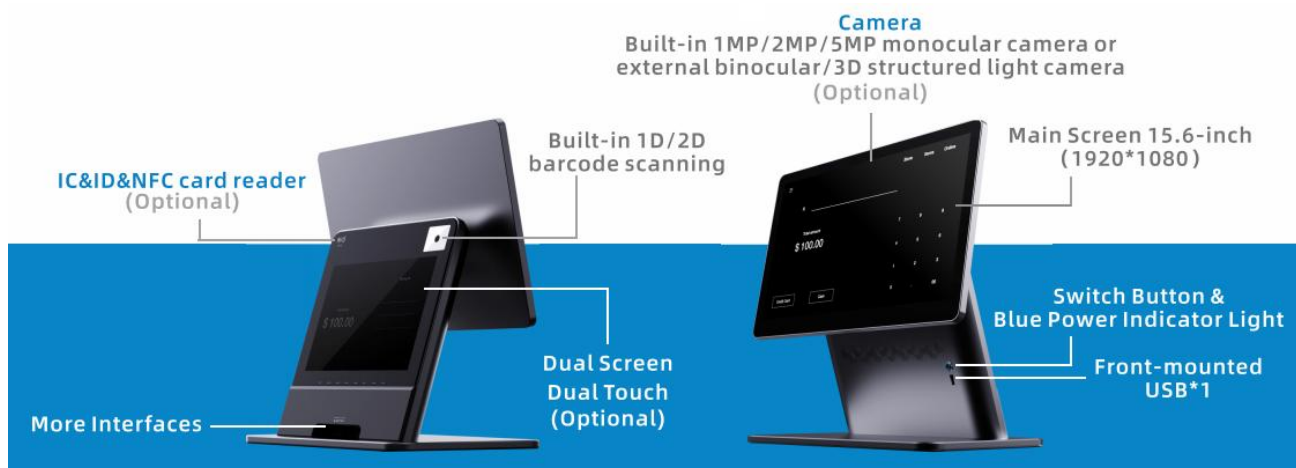
**High-definition dual-screen dual-touch:** 15.6-inch 1080P high-definition main screen, with optional 10.1/11.6-inch secondary screen. Dual-screen dual-touch allows for simultaneous cashier operations and customer displays

**Flexible adaptation to dual systems:** Provides Android and Windows dual-system solutions, compatible with various POS software, and adaptable to different usage habits

**Modular customization:** Cameras, scanners, IC/ID/NFC card readers, 4G communication, and other modules can be selected as needed to meet personalized business requirements

**Simple and durable design:** Meteor gray business appearance, stable structure, compatible with various store decorations, supports long-term high-frequency stable operation





## ◆ Appearance Display



## Product Core Parameters

Android system	RK3568	RK3576	RK3588
<b>CPU</b>	Rockchip RK3568 quad-core 64-bit processor with Cortex-A55 architecture, featuring a maximum clock speed of 2.0GHz	Rockchip RK3576 quad-core Cortex-A72 + quad-core Cortex-A53, with a maximum frequency of 2.2GHz	The Rockchip RK3588S is an octa-core 64-bit processor with a maximum clock speed of 2.4GHz, featuring a quad-core Cortex-A76 (large core) and quad-core Cortex-A55 (small core) architecture.

<b>GPU</b>	ARM G52 2EE Supports OpenGL ES 1.1/2.0/3.2, OpenCL 2.0, and Vulkan 1.1 Embedded high-performance 2D acceleration hardware	ARM G52 MC3 Supports OpenGL ES 1.1/2.0/3.2, OpenCL 2.0, and Vulkan 1.1. Embedded high-performance 2D acceleration hardware	ARM G610 GPU MC4 quad-core GPU Supports OpenGL ES3.2, OpenVG1.1, and OpenCL2.2, with 450 GFLOPS Embedded high-performance 2D acceleration hardware
<b>NPU</b>	Equipped with a built-in neural network processor (NPU) delivering 0.8TOPS@INT8 performance, it supports AI development tools including Caffe/Mxnet/TensorFlow/TF Lite/ONNX/Darknet for model deployment. Features rapid model conversion capabilities.	Equipped with a built-in neural network processor (NPU) delivering 6.0TOPS@INT8 performance, it supports models including Caffe, Mxnet, TensorFlow, PyTorch, TF Lite, ONNX, and Darknet, providing comprehensive AI development tools with rapid model conversion capabilities.	Equipped with a built-in neural network processor (NPU) for powerful AI computing: Supports IN4/IN8/INT16/FP16 operations with up to 6.0 TOPS performance, enabling direct loading of models like Caffe/Mxnet/TensorFlow/TF Lite/ONNX/Darknet. Provides AI development tools including rapid model conversion capabilities.
<b>Operating System</b>	Android 11	Android 14	Android 12
<b>RAM</b>	LPDDR4 2GB (4G/8G optional)	LPDDR4 4GB (8G/16G optional)	LPDDR4 4GB (8G/16G/32G optional)
<b>ROM</b>	eMMC 16GB (available in 32G, 64G, 128G, or 256G options)	eMMC 32GB (available in 64G, 128G, 256G, or 512G options)	eMMC 32GB (64G/128G/256G optional) TF Card expansion (optional)
<b>Ethernet</b>	Supports Ethernet 10/100	Supports Ethernet 10/100/1000 speeds	Supports Ethernet 10/100/1000 speeds
<b>WiFi</b>	Supports 2.4GHz and Wi-Fi 802.11b/g/n/ac protocols. (Optional 5GHz dual-band WiFi)	Supports 2.4GHz and WiFi 802.11b/g/n/ax protocols (5GHz dual-band WiFi optional)	Supports 2.4G WiFi and Wi-Fi 802.11b/g/n protocols. (Optional 5GHz dual-band WiFi)
<b>Bluetooth</b>	Supports Bluetooth function, V2.1+EDR (optional 3.0/3.0+HS/4.1/BLE)	Supports Bluetooth function, V2.1+EDR (optional 3.0/3.0+HS/4.1/BLE)	Supports Bluetooth function, V2.1+EDR (optional 3.0/3.0+HS/4.1/BLE)

Windows system	J6412	N100	i3-1215U	i5-1235U
----------------	-------	------	----------	----------

<b>CPU</b>	Celeron J6412, quad-core quad-thread processor with a base frequency of 2.0GHz and a maximum frequency of 2.6GHz	N100, quad-core quad-thread, up to 3.4GHz	Core i3-1215U with six cores and eight threads, up to 4.4GHz	Core i5-1235U, featuring 10 cores and 12 threads with a maximum clock speed of 4.4GHz
<b>GPU</b>	Intel® UHD Graphics	Intel® UHD Graphics	Intel® UHD Graphics	Intel® Iris® Xe Graphics eligible
<b>Operating System</b>	Windows10/11	Windows10/11	Windows10/11	Windows10/11
<b>RAM</b>	1× DDR4 memory slot with SO-DIMM 4GB capacity (4G/8G/16G available)	1× DDR4 memory slot with SO-DIMM 4GB capacity (available in 4G, 8G, or 16G variants)	1× DDR4 memory slot with SO-DIMM 4GB capacity (4G/8G/16G available)	1× DDR4 memory slot with SO-DIMM 4GB capacity (available in 4G, 8G, or 16G variants)
<b>SSD</b>	64GB SSD (available in 128G, 256G, or 512G options)	64GB SSD (available in 128G, 256G, or 512G options)	64GB SSD (available in 128G, 256G, or 512G options)	64GB SSD (available in 128G, 256G, or 512G options)
<b>Ethernet</b>	Supports Ethernet 10/100/1000 speeds	Supports Ethernet 10/100/1000 speeds	Supports Ethernet 10/100/1000 speeds	Supports Ethernet 10/100/1000 speeds
<b>WiFi</b>	Supports 2.4GHz, IEEE 802.11b/g/n. (5GHz dual-band optional)	Supports 2.4GHz, IEEE 802.11b/g/n. (5GHz dual-band optional)	Supports 2.4GHz, IEEE 802.11b/g/n. (5GHz dual-band optional)	Supports 2.4GHz, IEEE 802.11b/g/n. (5GHz dual-band optional)
<b>Bluetooth</b>	None (Bluetooth optional: V2.1+EDR/Bluetooth; optional 3.0/3.0+HS/4.2/5.2)	None (Bluetooth optional: V2.1+EDR/Bluetooth; optional 3.0/3.0+HS/4.2/5.2)	None (Bluetooth optional: V2.1+EDR/Bluetooth; optional 3.0/3.0+HS/4.2/5.2)	None (Bluetooth optional: V2.1+EDR/Bluetooth; optional 3.0/3.0+HS/4.2/5.2)

Display Screen	Home screen	secondary screen
LCD type	TFT	TFT
LCD size	15.6 inches	10.1 inches
Active Area(W×H)	344.16 x 193.59 mm	135.36 x 216.58 mm
Number of Dots	1920*1080	800*1280
Brightness	255~300 Cd/m2	300 Cd/m2
Viewing Angle(H) θ 3	85 degrees	85 degrees
Viewing Angle(H) θ 9	85 degrees	85 degrees
Viewing Angle(V) θ 12	85 degrees	85 degrees
Viewing Angle(V) θ 6	85 degrees	85 degrees

Contrast Ratio	1200	800~1000
Response Time	20~25 ms	35 ms
Colour Gamut	45%	NTSC 60%(Typ)

Touch screen/Glass	Main touch screen	Secondary touch screen
结构	G+G	G+G
钢化玻璃厚度	0.7 mm	1.1 mm
传感器厚度	0.7 mm	0.55 mm
盖板颜色	黑色	黑色
表面硬度	>6H	>6H
触点数量	10	10
触摸面积	$\Phi \geq 9$	$\Phi \geq 9$
输入方式	手指或导电笔	手指或导电笔
总透光率	$\geq 86\%$	$\geq 86\%$
雾度	$\leq 5\%$	$\leq 5\%$
表面涂层	AF	无

Scanner (纽特捷 NT7733-7) S2		remarks
imaging sensor	CMOS	
resolution ratio	300,000 pixels, 640*480	
Maximum readable code speed	40cm/s	
Scan angle	$\pm 65^\circ$ , $\pm 60^\circ$ , rotate 360°	
recognition distance	30~150 mm	
readable encoding system	Codabar、Code 39、Code 32 Pharmaceutical (PARAF)、Interleaved 2 of 5、 NEC 2 of 5、Code 93、Straight 2 of 5 Industrial、Straight 2 of 5 IATA, Matrix 2 of 5, Code 11、 Code 128、GS1-128、UPC-A、UPC-E、	<b>One-dimensional barcode/1-D</b>

	EAN/JAN-8、EAN/JAN-13、GS1 DataBar  Omnidirectional、  GS1 DataBar Limited, GS1 DataBar Expanded, MSI, China Post (Hong Kong 2-Dimensional Barcode/1-Dimensional Code 5).	
	Codeblock A、Codeblock F、PDF417、  Micro PDF417、Aztec、  GS1 Composite Codes、QR Code、Data Matrix、MaxiCode、HANXIN.	<b>Two-dimensional barcode/2-D</b>

Camera		remarks
optical size	1/4 inch	
Pixel size per unit	1.4um *1.4um	
Image region	3673.6 μm x 2738.4μm	
maximum effective pixel	2592 (H)X1944(V)	
output format	MJPEG / YUV2 (YUYV)	
Supports resolution and frame rate	15fps 2592*1944/ 30fps 1080P Mjpeg	
Signal-to-Noise Ratio (SNR)	37db	
dynamic range	67db@8x gain	
sensitivity	600mV/Lux-sec	
minimal illumination	0. 1lux	
Shutter type	Electronic rolling shutter	
AEC/Gain/White Balance	automatic	

NFC card reader (DK26me/云身份证读卡)		remarks
Supports cards	Supports online recognition of second-generation ID cards; supports passport and Hong Kong/Macao travel permit recognition (optional); also supports	

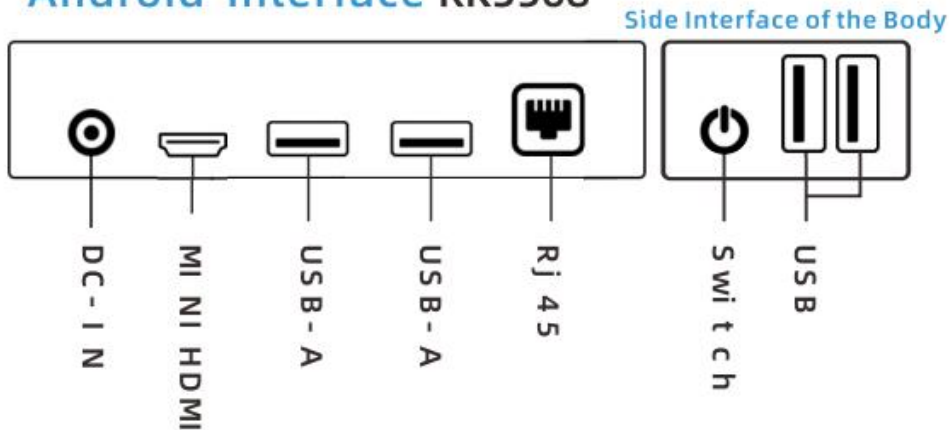
	Mifare One (M1), S50, S70, UL: NTAG2xx series, Fudan F08, I-CODE-X and other types of tags, city-wide smart cards, bank card recognition, etc.	
<b>ID card analysis (optional)</b>	Online verification is supported. After registering your ID card, you can view photo information from your identity document.	
<b>Support protocol</b>	ISO14443A、ISO14443B、ISO15693、 ISO18092、Felica	
<b>communication interface</b>	UART/USB	
<b>Baud rate</b>	115200bps (default)	
<b>Card reading distance</b>	20~60mm	

Loudspeaker		remarks
<b>impedance</b>	$7 \pm 15\% \Omega$ (at 1kHz 1V)	
<b>power rating</b>	2.0W	
<b>maximum power</b>	2.3W	

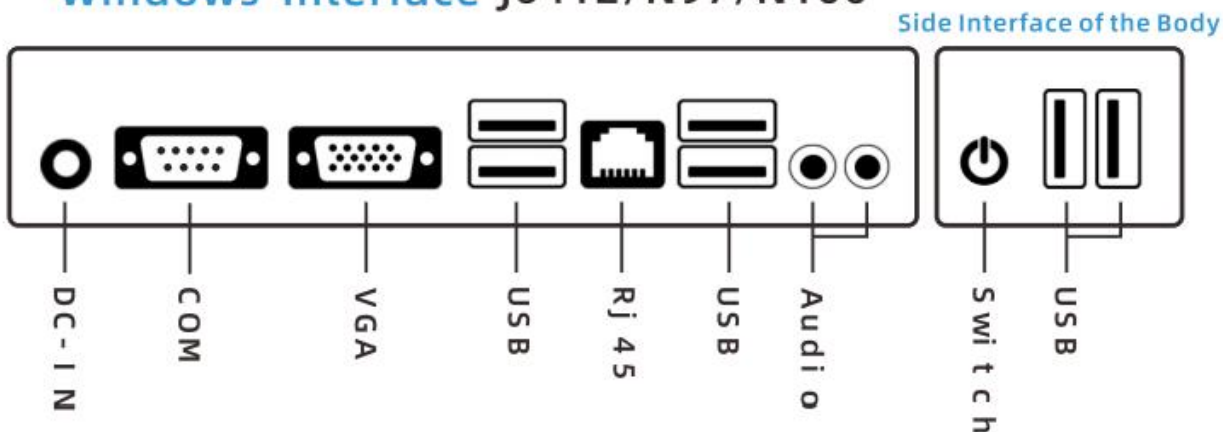
Product operating environment parameters	
<b>Storage temperature and humidity</b>	-20 ~ 70°C, 10 ~ 85 %RH
<b>Working temperature and humidity</b>	-20 ~ 50°C, 10 ~ 80 %RH
<b>Electrostatic Discharge Immunity (ESD)</b>	Contact voltage: $\pm 6$ kV; air voltage: $\pm 8$ kV
<b>Power Input</b>	DC12V

## Product appearance and interfaces:

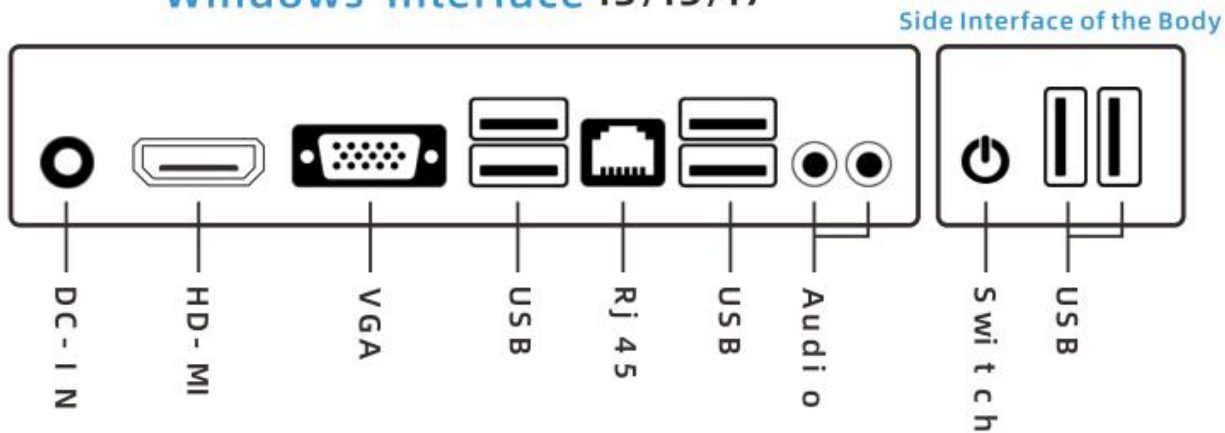
### Android Interface RK3568

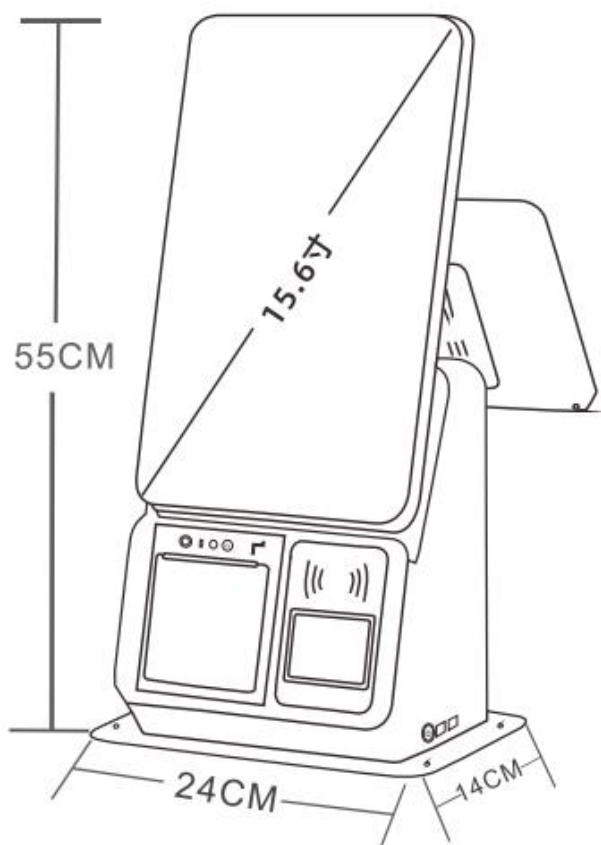


### Windows Interface J6412/N97/N100

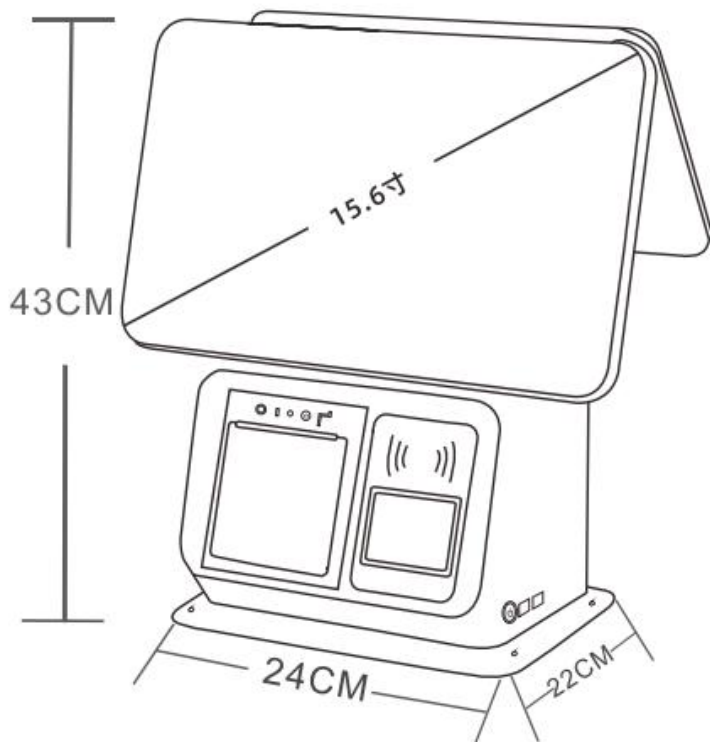


### Windows Interface I3/I5/I7





**G2 dual screen  
15.6 inches  
24\*14\*55CM**



**G2 dual screen  
15.6 inches  
24\*22\*43CM**